

2.5x2.0 SMD Crystal

FEATURE

- Rugged AT-cut crystal construction.
- Miniature 2.5×2.0mm ceramic package.
- Designed for automatic mounting and reflow soldering.
- Embossed tapping specification.
- Pb-free and RoHS/Green compliant.

APPLICATIONS

- Ideally suited designed for Bluetooth wireless communication sets, HDD, DSN, PDA, GPS, Digital Tuner, Wireless LAN and mobile phone.



Pb Free

RoHS Compliant
Directive 2002/95/EC

Electrical Specifications 电气参数

型号	Holder Type	2.5x2.0mm Ceramic Surface Mount
频率范围	Frequency Range	12.000MHz to 54.000MHz
调整频差	Frequency Tolerance (ΔF) (at25°C)	± 10 ppm to ± 30 ppm
温度频差	Frequency Drift	± 10 ppm to ± 30 ppm※(See Notes)
工作温度范围	Operating Temperature Range	-20°C - +70°C / -40°C - +85°C
储存温度范围	Storage Temperature Range	-40°C - +85°C / -55°C - +125°C
老化	Aging (25°C)	± 3 ppm/ year Maximum
静电容	Shunt Capacitance (C0)	3pF maximum
激励功率	Drive Level	10 μ W (100 μ W max.)
绝缘阻抗	Insulation Resistance (Rs)	500 Megaohms Minimum at D.C100V
负载电容	Load Capacitance (CL)	Suggested by customer

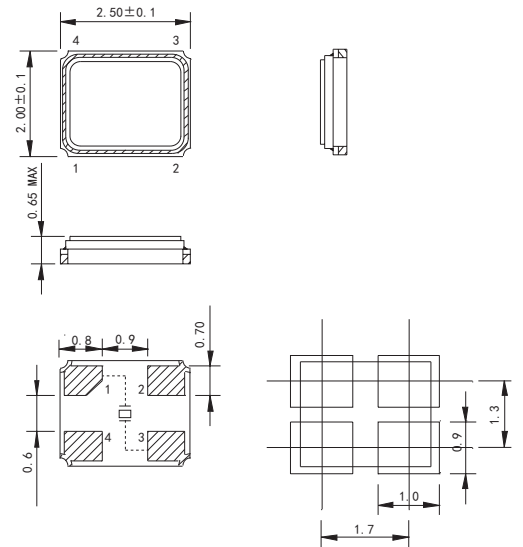
※Notes: ± 10 , ± 20 , ± 30 ppm (-20°C to +70°C)
 ± 20 , ± 30 , ± 50 ppm (-40°C to +85°C) or depends on customer

Equivalent Series Resistance and Mode of Operation 等效阻抗和振荡模式

Frequency Range 频率范围	ESR (Ω) 等效阻抗	Mode 振荡模式
12.000MHz $\leq f < 16.000$ MHz	100 max	Fundamental
16.000MHz $\leq f < 20.000$ MHz	80 max	Fundamental
20.000MHz $\leq f < 30.000$ MHz	60 max	Fundamental
30.000MHz $\leq f < 54.000$ MHz	40 max	Fundamental

Mechanical Dimensions 外型尺寸

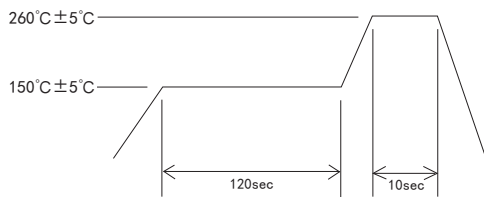
UNIT (单位): mm (毫米)



suggested solder pad layout

Note: #2, #4 is connected with a cover
(Please connect with GND or floating.)

Reflow Condition(回流焊条件)



CYCLE TIME: 200sec Max.

地址: 深圳市宝安区航城街道三围工业路17号3栋402

Address: Room 402, Building 3, No. 17, Sanwei Industrial Road, Hangcheng Street, Bao'an District, Shenzhen

电话: 0755-29553083

网址: www.szcfelec.com

Tel.: 0755-29553083

Web: www.szcfelec.com