

HALFSIZE(8PIN) OSCILLATOR

FEATURE

- All metal welded package.
- Broad frequency range from 0.25Mhz to 180MHz.
- Built-in C-MOS IC with tri-state function.
- 5V and 3.3V supply model available.
- Pb-free and RoHS/Green compliant.

APPLICATIONS

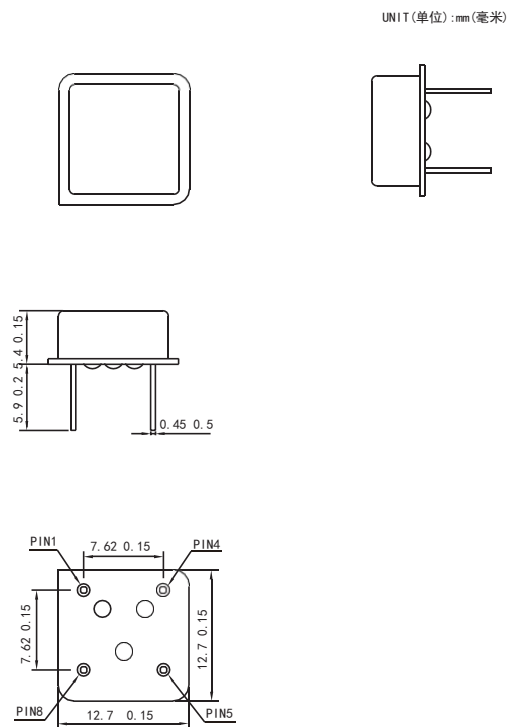
- Ideally suited designed for use in monitor, computers, wireless lan card & wire lan card, CD-PLAYER, HDD, Work station.



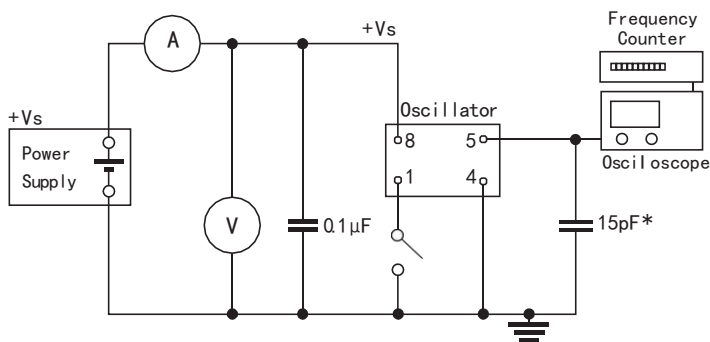
Electrical Specifications 电气参数

型号	Holder Type	HALF SIZE (8PIN) OSCILLATOR
频率范围	Frequency Range	250KHz to 1.000 MHz to 125.000MHz
总频差	Frequency Stability	±25ppm to ±50ppm
输入电压	Supply Voltage	5.0V or 3.3V ±10%
工作温度范围	Operating Temperature Range	-10℃ - +60℃ to -40℃ - +85℃
储存温度范围	Storage Temperature Range	-40℃ - +85℃/-55℃ - +125℃
占空比	Symmetry (Duty Cycle)	40/60 Standard
输出	Output Load 5.0 V	10 TTL or 15pF Hcmos
	Output Load 3.3 V	10 TTL or 15pF Hcmos
消耗电流	Current Consumption 5.0V (15pf) only	1.000Mhz - 35.999Mhz=25mA max
		36.000Mhz - 69.999Mhz=60mA max
	Current Consumption 3.3V (15pf) only	70.000Mhz - 100.000Mhz=80mA max
		1.000Mhz - 35.999Mhz=20mA max
上升/下降时间	Rise/Fall Time	36.000Mhz - 69.999Mhz=40mA max
		70.000Mhz - 125.000Mhz=60mA max
		5 nS max

Mechanical Dimensions 外型尺寸



Test Circuit (测试电路)



PIN	FUNCTION
1	N/C or Tri-state
4	Ground
5	Output
8	Vdd

地址: 深圳市宝安区航城街道三围工业路17号3栋402

Address: Room 402, Building 3, No. 17, Sanwei Industrial Road, Hangcheng Street, Bao'an District, Shenzhen

电话: 0755-29553083

网址: www.szcfelec.com

Tel.: 0755-29553083

Web: www.szcfelec.com