

Half Size VCXO

Features

- All metal welded package.
- High precision characteristic covering up to wide frequency range from 1MHz up to 80MHz.
- 5V / 3.3V operating voltage.
- CMOS output.
- 3-state function.
- 8-Pin DIP (Half-Size Package)
- Applications: Telecommunications, Mobile communications, Avionics, Test equipments, Electronic instruments, etc.
- RoHS Compliant / Pb-Free.

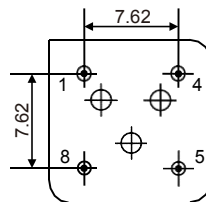
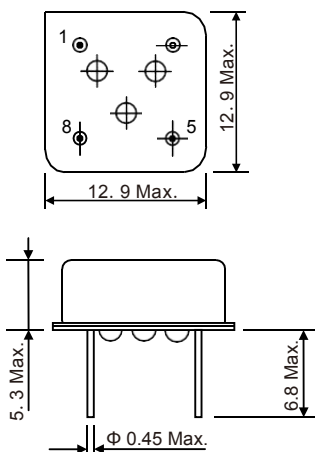


Electrical Specifications

Item /Type		VCXO	
Output Type		CMOS	
Package		All metal, hermetically sealed, welt package	
Supply current		40mA Max.	60mA Max.
Supply Voltage		3.3V	5.0V
Frequency Range		1 ~ 200 MHz	
Frequency stability		±25ppm, ±50ppm	
Operating Temperature Range		-20~+70°C, -40~+85°C, or specify	
Storage Temperature Range		-55~+125°C	
Load		15pF	
	Voltage Voh	3.0V Min.	4.5V Min.
	Voltage Vol	0.3V Max.	0.4V Max.
	Current Ioh	-4.0mA	-8.0mA
	Current Iol	4.0mA	8.0mA
	Duty Cycle	40/60 Max.	
	Rise/Fall time	5ns Max.	
Frequency Control		Positive Transfer Characteristic	
	Pullability	±50ppm, ±100ppm, ±150ppm, ±200ppm Min.	
	Control Voltage	0.3Vdc to 3.0Vdc	0.5Vdc to 4.5Vdc
	Center Voltage	1.65Vdc	2.5Vdc
	Monotonic Linearity	<±15%	<±15%
	Input impedance	50K ohms Normal	50K ohms Normal
Size		12.6×12.6×5.0 mm	

Dimensions

Units:mm



PAD Function:

- 1: Control Voltage
- 4: GND
- 5: Out
- 8: Vdd (5V/3.3V)

地址：深圳市宝安区航城街道三围工业路17号3栋402

Address: Room 402, Building 3, No. 17, Sanwei Industrial Road, Hangcheng Street, Bao'an District, Shenzhen

电话：0755-29553083

网址：www.szcfelec.com

Tel. : 0755-29553083

Web: www.szcfelec.com